

## Han TC70 M-contact 10mm<sup>2</sup> protected

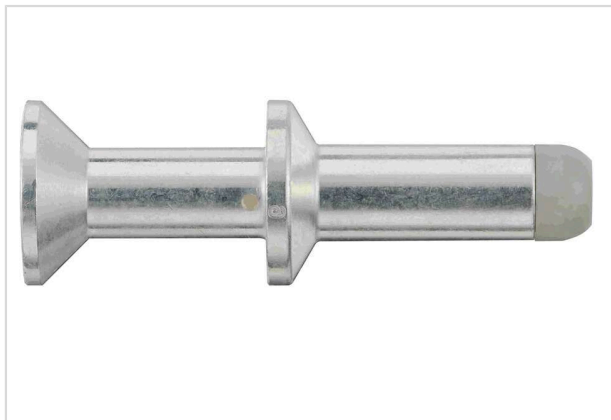


Image is for illustration purposes only. Please refer to product description.

Part number	09 11 000 7100
Specification	Han TC70 M-contact 10mm <sup>2</sup> protected
HARTING eCatalogue	<a href="https://b2b.harting.com/09110007100">https://b2b.harting.com/09110007100</a>

### Identification

Category	Contacts
Series	TC 70
Type of contact	Crimp contact

### Version

Gender	Male
Manufacturing process	Turned contacts
Details	Finger safe

### Technical characteristics

Conductor cross-section	10 mm <sup>2</sup>
Operating current	≤70 A
Contact resistance	≤0.5 mΩ
Stripping length	15.5 mm
Limiting temperature	-40 ... +125 °C
Mating cycles	≥500

### Material properties

Material (contacts)	Copper alloy
Surface (contacts)	Silver plated
RoHS	compliant with exemption
RoHS exemptions	6(c): Copper alloy containing up to 4 % lead by weight
ELV status	compliant with exemption



**Pushing Performance**  
Since 1945

## Material properties

China RoHS	50
REACH Annex XVII substances	Not contained
REACH ANNEX XIV substances	Not contained
REACH SVHC substances	Yes
REACH SVHC substances	Potassium 1,1,2,2,3,3,4,4,4-nonafluorobutane-1-sulphonate Lead
California Proposition 65 substances	Yes
California Proposition 65 substances	Lead

## Specifications and approvals

Specifications	IEC 60664-1 IEC 61984
----------------	--------------------------

## Commercial data

Packaging size	10
Net weight	5 g
Country of origin	Germany
European customs tariff number	85366990
GTIN	5713140188099
eCl@ss	27440204 Contact for industrial connectors