

Han TC70 M-contact 16mm² protected

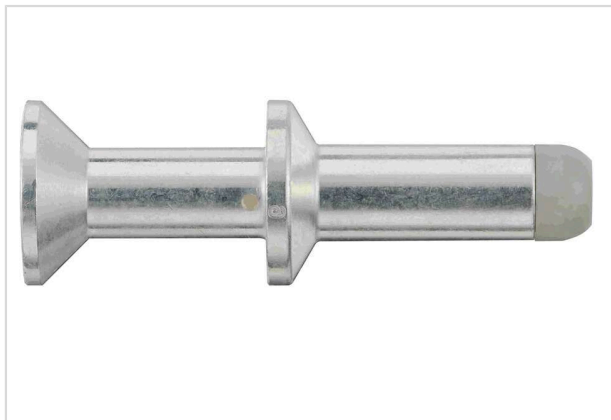


Image is for illustration purposes only. Please refer to product description.

Part number	09 11 000 7101
Specification	Han TC70 M-contact 16mm ² protected
HARTING eCatalogue	https://b2b.harting.com/09110007101

Identification

Category	Contacts
Series	TC 70
Type of contact	Crimp contact

Version

Gender	Male
Manufacturing process	Turned contacts
Details	Finger safe

Technical characteristics

Conductor cross-section	16 mm ²
Operating current	≤70 A
Contact resistance	≤0.5 mΩ
Stripping length	15.5 mm
Limiting temperature	-40 ... +125 °C
Mating cycles	≥500

Material properties

Material (contacts)	Copper alloy
Surface (contacts)	Silver plated



Pushing Performance
Since 1945

Specifications and approvals

Specifications	IEC 60664-1
	IEC 61984

Commercial data

Packaging size	10
Net weight	9.38 g
Country of origin	Germany
European customs tariff number	85366990
GTIN	5713140188105
eCl@ss	27440204 Contact for industrial connectors