

Han 100A single module, female KNBN

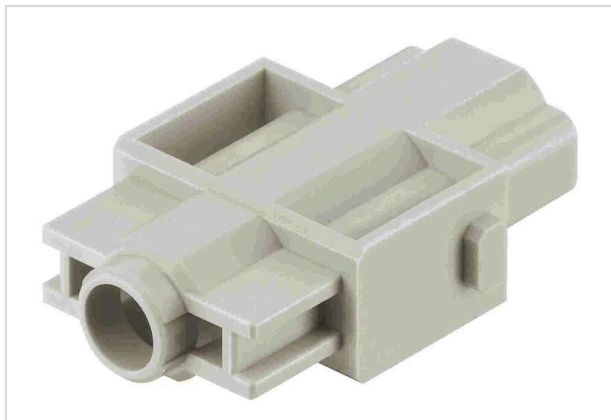


Image is for illustration purposes only. Please refer to product description.

Part number	09 14 001 3131
Specification	Han 100A single module, female KNBN
HARTING eCatalogue	https://b2b.harting.com/09140013131

Version

Gender	Female
Number of contacts	1
Details	Please order contacts separately.

Technical characteristics

Conductor cross-section	10 ... 35 mm ²
Rated current	100 A
Rated voltage	830 V
Rated impulse voltage	8 kV
Pollution degree	3
Rated voltage acc. to UL	600 V
Insulation resistance	>10 ¹⁰ Ω
Contact resistance	≤0.3 mΩ
Limiting temperature	-40 ... +125 °C
Mating cycles	≥500

Material properties

Material (insert)	Polycarbonate (PC)
Colour (insert)	RAL 7032 (pebble grey)
Material flammability class acc. to UL 94	V-0
RoHS	compliant
ELV status	compliant
China RoHS	e



Pushing Performance
Since 1945

Material properties

REACH Annex XVII substances	Not contained
REACH ANNEX XIV substances	Not contained
REACH SVHC substances	Not contained
California Proposition 65 substances	Not contained
Fire protection on railway vehicles	EN 45545-2 (2020-08)
Requirement set with Hazard Levels	R22 (HL 1-3) R23 (HL 1-3)

Specifications and approvals

Specifications	IEC 60664-1 IEC 61984
UL / CSA	UL 1977 ECBT2.E235076 UL 2237 PVVA2.E318390 CSA-C22.2 No. 182.3 PVVA8.E318390
Approvals	DNV GL

Commercial data

Packaging size	2
Net weight	9 g
Country of origin	Germany
European customs tariff number	85389099
GTIN	5713140019386
eCl@ss	27440217 Module for industrial connectors (power/signals)