

D-Sub M 2W2C STR FE 20A UNC NM30 BL

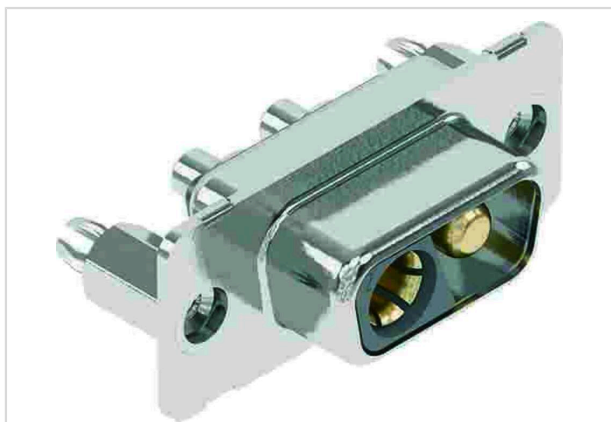


Image is for illustration purposes only. Please refer to product description.

| | |
|--------------------|---|
| Part number | 09 69 100 9149 |
| Specification | D-Sub M 2W2C STR FE 20A UNC NM30 BL |
| HARTING eCatalogue | https://b2b.harting.com/09691009149 |

Identification

| | |
|----------------------------|--------------------|
| Category | Connectors |
| Series | D-Sub |
| Identification | Mixed |
| Element | Connector |
| Description of the contact | Turned Straight |

Version

| | |
|---------------------------|------------------------------------|
| Termination method | Wave soldering termination |
| Gender | Female |
| Size | D-Sub 1 |
| Number of contacts | 2 |
| Number of signal contacts | 0 |
| Number of power contacts | 2 |
| Coding | With coding |
| PCB fixing | With board locks |
| Locking type | Fixing flange with thread 4-40 UNC |

Technical characteristics

| | |
|--------------------------------|--------------------------|
| Flange height | 7.5 mm |
| Rated current (power) | 20 A |
| Insulation resistance | $>10^5 \Omega$ |
| Contact resistance, power area | $\leq 1 \text{ m}\Omega$ |



Pushing Performance
Since 1945

Technical characteristics

| | |
|---------------------------|-------------------------------|
| Tightening torque | ≤0.6 Nm Female screw lock |
| Limiting temperature | -55 ... +125 °C |
| Performance level | NM 30 (S4) 1 |
| Mating cycles | ≥500 |
| Test voltage $U_{r.m.s.}$ | 1 kV |
| Isolation group | IIIa ($175 \leq CTI < 400$) |
| PCB thickness | 1.6 mm |
| Hot plugging | No |

Material properties

| | |
|---|---|
| Material (insert) | Thermoplastic resin, glass-fibre filled (PBT) Shell: steel, tin plated |
| Colour (insert) | Black |
| Material (contacts) | Copper alloy |
| Surface (contacts) | Gold plated Mating side Sn over Ni Termination side |
| Layer thickness | ≥0.76 µm |
| Layer thickness | ≥30 µinch |
| Material flammability class acc. to UL 94 | V-0 |

Specifications and approvals

| | |
|----------------|-------------------------------|
| Specifications | DIN 41652-1 CECC 75301-802 |
| UL / CSA | UL 1977 ECBT2.E102079 |

Commercial data

| | |
|--------------------------------|------------------------|
| Packaging size | 50 |
| Net weight | 9 g |
| Country of origin | Germany |
| European customs tariff number | 85366990 |
| GTIN | 5713140217218 |
| eCl@ss | 27440214 D-Sub coupler |